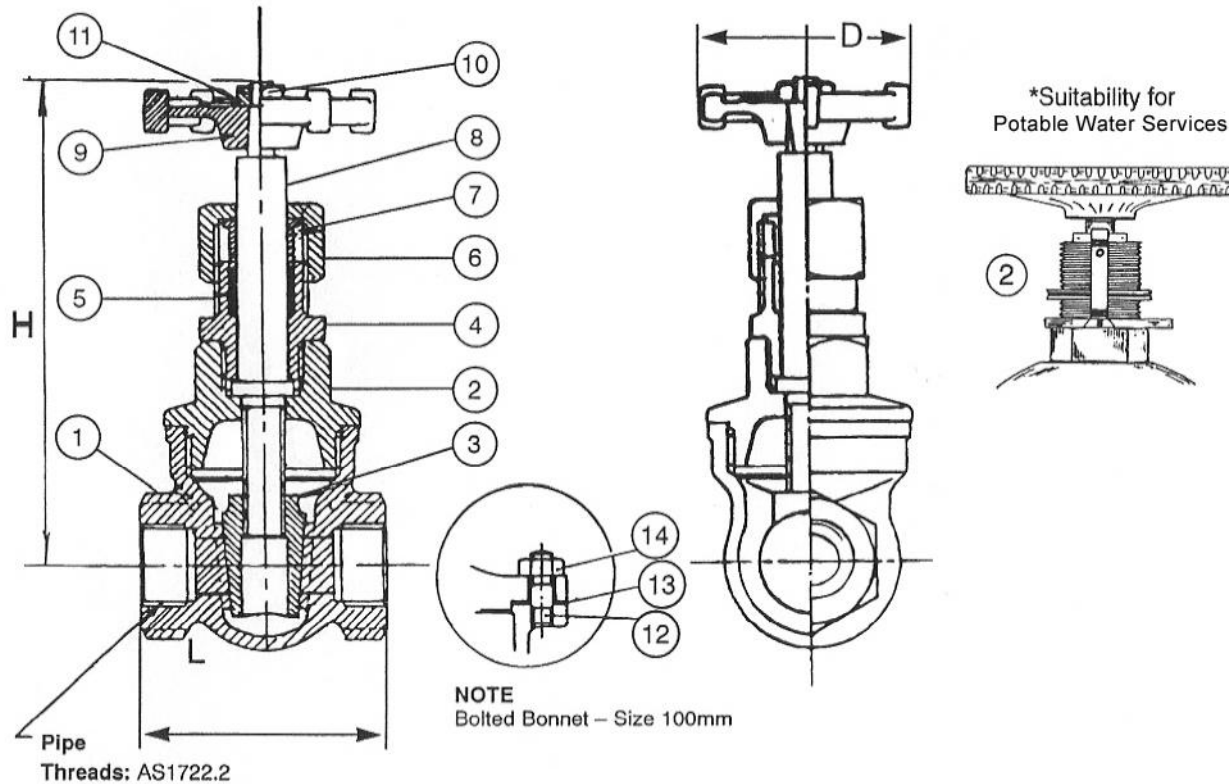


- Options:**
- Bronze Handwheels ①
 - Open-Shut Indicators ②
 - Locking Devices ③

■ **Pressures:** 3500 kPa CWP
Maximum Working Pressure @ 100°C

■ **Standards:** Dezincification Resistant
AS 1628 – 1994: Copper Alloy Valves
AS 3855: Materials suitability for Potable Water Service



Dimensions

Size mm	8	10	15	20	25	32	40	50	65	80	100
L	49	49	60	60	66	76	90	98	114	138	178
H	102	102	111	111	125	144	162	190	241	260	370
D	65	65	65	65	90	90	90	120	150	150	190
Wt/kgs	0.5	0.5	0.7	0.8	1.2	1.5	2.3	3.5	6.0	8.3	22.2

ITEM	DESCRIPTION	MAT'L	STANDARD
14	STUD NUT	M.STEEL ZP	8 PCS
13	GASKET	NEO CORK	
12	STUD BOLT	M.STEEL ZP	8 PCS
11	NAMEPLATE		
10	HANDWHEEL NUT	BRASS	
9	HANDWHEEL	ZINC ALUM BRONZE	AS1874 AS1565
8	SPINDLE	DR BRASS	AS1567 -352
7	GLAND	DR BRASS	AS1567 -352
6	GLAND NUT	DR BRASS	AS1567 -352
5	GLAND PACKING	PTFE GPI BUSH	AS1198
4	STUFFING BOX	GUNMETAL BRONZE	AS1565 C83600M
3	WEDGE – GATE	GUNMETAL BRONZE	AS1565 C83600M
2	COVER – BONNET	GUNMETAL BRONZE	AS1565 C83600M
1	BODY	GUNMETAL BRONZE	AS1565 C83600M

PVA PROMET VALVES AUSTRALIA
1A Green Road Woodville West SA 5011
www.prometvalves.com promet@prometvalves.com
T: 08 8268 1777 ABN 47096 425 697 F: 08 8268 1711

FIG No
T59 BRONZE GATE VALVE
SCREWED CLASS 35
PN 40